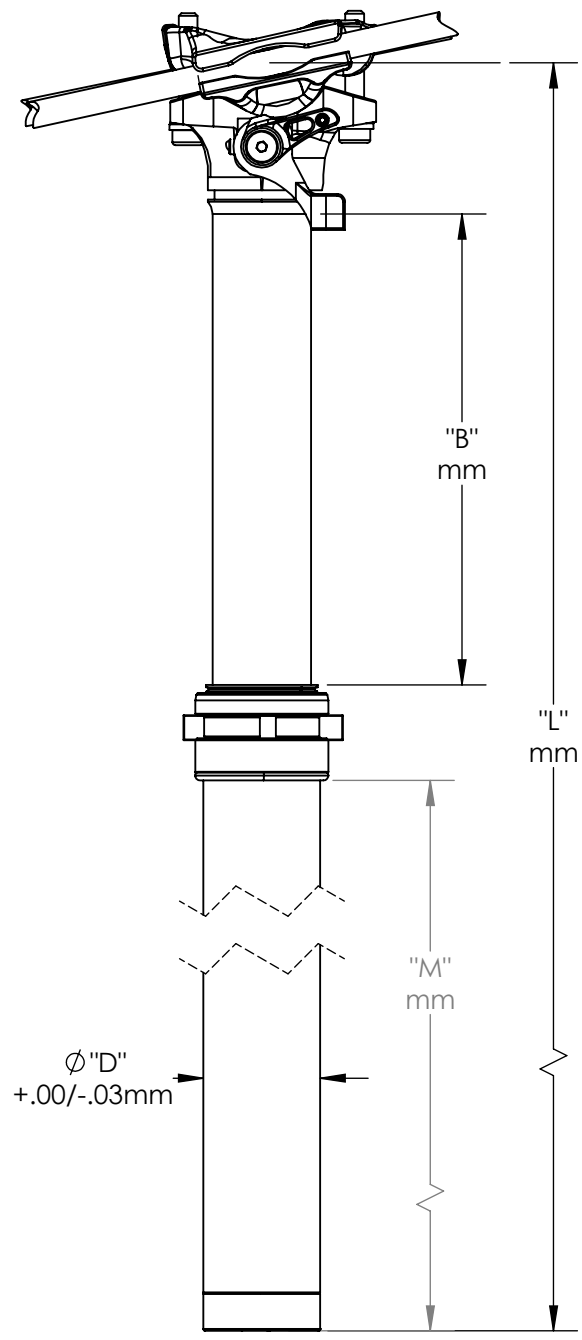


REV	DATE	DESCRIPTION	APP.



Model Number	Description	"L"	"M"	"B"	"D"
		Overall Length	Max. Insertion Length	Travel	Seatpost Diameter
DP-E112	27.2 X 430 mm	430 mm	234.0 mm	125.0 mm	27.2 mm

UNLESS OTHERWISE SPECIFIED
 DIMENSIONS ARE IN INCHES (mm)
 TOLERANCES:
 ANGLES $\pm 1^\circ$ DECIMALS $\pm .010$ (.25)
 FINISH 125 (3.2) RA MAX
 BREAK CORNERS .01-.02 RAD

USED ON: _____ DRAWN: _____ DATE: _____
 CHECKED: _____ DATE: _____
 SECTION NO. _____
 CHANGE NO. _____

L.H. THOMSON COMPANY
 CORPORATE OFFICES
 MACON, GA 31216

27.2 Dropper Post - External Cable
 (100 - 125mm)

SIZE **A** CAGE CODE _____ DRAWING NO. **WEB 010**

FILE: I:\BIKE THOMSON\113\142\WEBSITE DATA\010 NEW DROPPER SEATPOST Rev New SHEET 1 OF 5