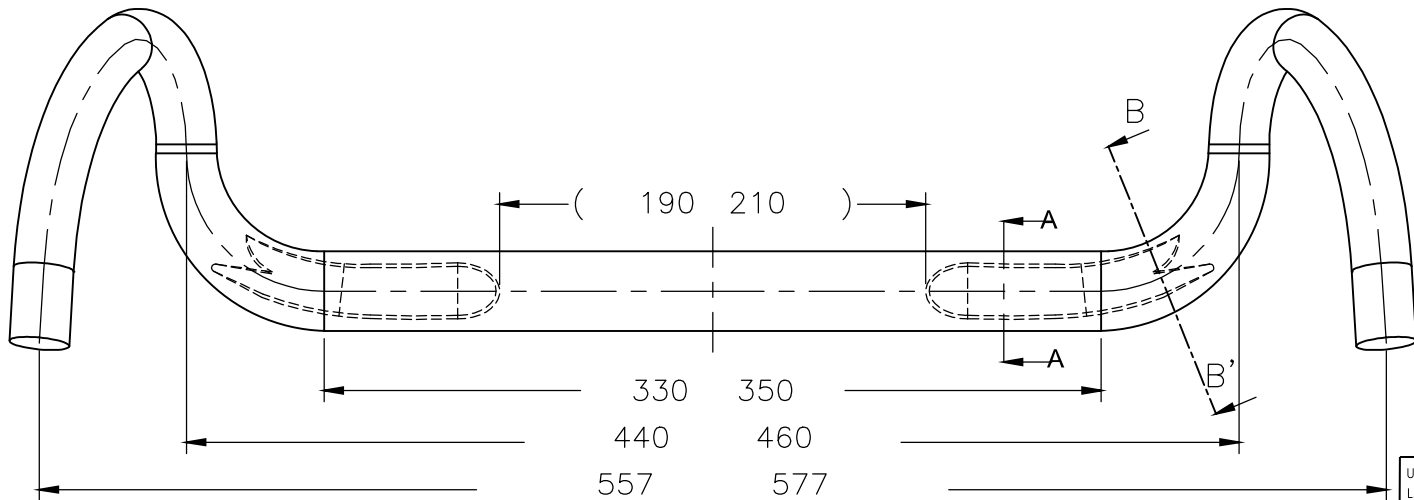


A-A

B-B



440	290g
460	298g

THIS DOCUMENT/DATA RECORD IS THE PROPERTY OF L.H. THOMSON CO. AND CONTAINS PROPRIETARY AND CONFIDENTIAL INFORMATION, AND IS NOT TO BE COPIED.

UNLESS OTHERWISE SPECIFIED DIMENSIONS ARE IN mm TOLERANCES:
 ANGLES $\pm 1^\circ$ DECIMALS $\pm .25$
 FINISH 3.2 RA MAX
 BREAK CORNERS .30-.60 RAD

USED ON: L. H. Thomson Web Site	L.H. THOMSON COMPANY CORPORATE OFFICES MACON, GA 31297		
SECTION NO.	Alloy drop bar HB-E130-131		
CHANGE NO.	SIZE A	CAGE CODE	DRAWING NO.
GROUP ORIGIN			
SHEET 1 OF 1			