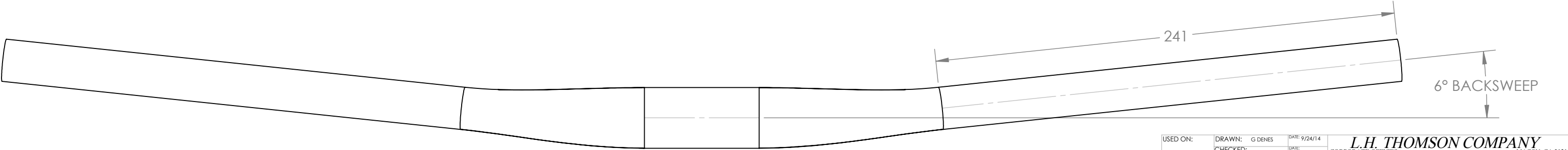
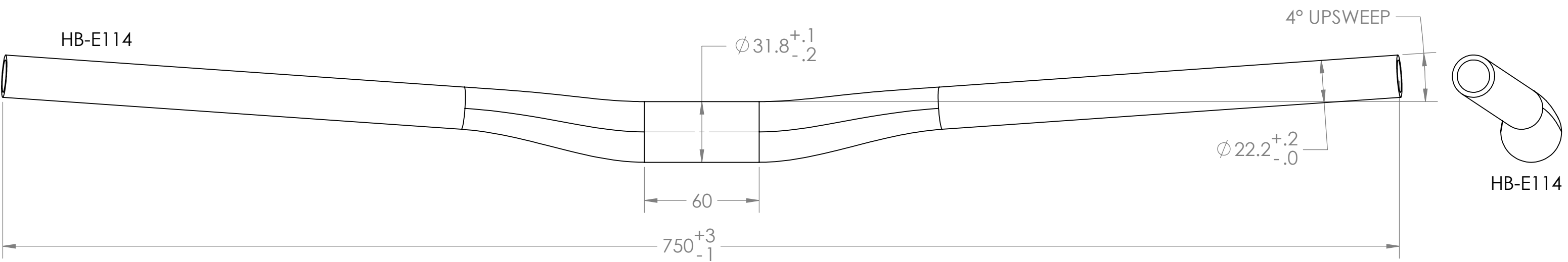
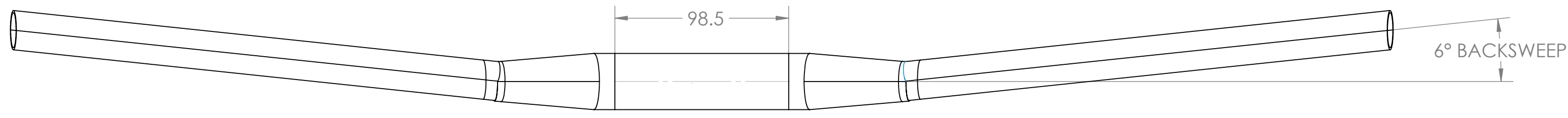
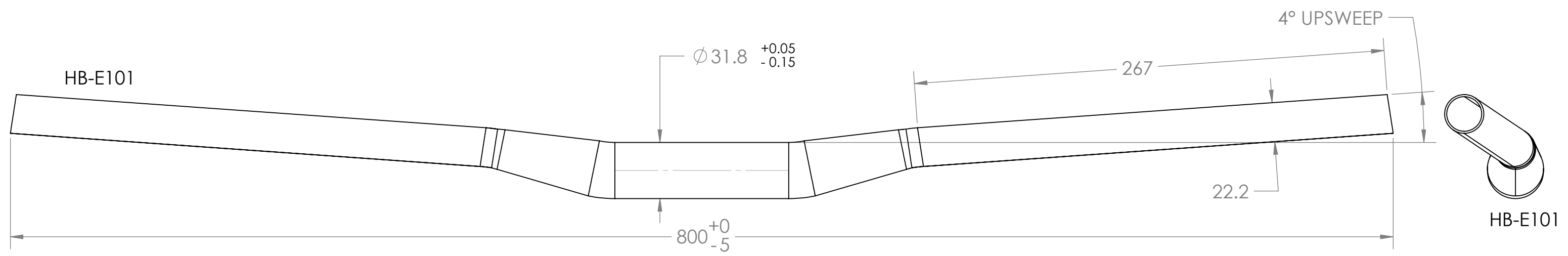


REV	DATE	DESCRIPTION	APP.
NEW	9/24/14	NEW DRAWING	GD
A	9/24/14	CHANGED BAR WIDTH FROM 783mm TO 800mm	GD
B	10/30/15	ADDED P/N HB-E114	CJ



USED ON:	DRAWN: G DENES	DATE: 9/24/14	L.H. THOMSON COMPANY CORPORATE OFFICES THOMSON ALUMINUM DH BARS- SIZE DIAGRAM MACON, GA 31216
CHECKED:	QA:	DATE:	
SECTION NO.	CHANGE NO.	DATE:	
SIZE: B	CAGE CODE:	DRAWING NO. WEB 013	

FILE: I:\BIKE THOMSON\117\117101-1 (ALUM DH BAR) REV B SHEET 1 OF 1